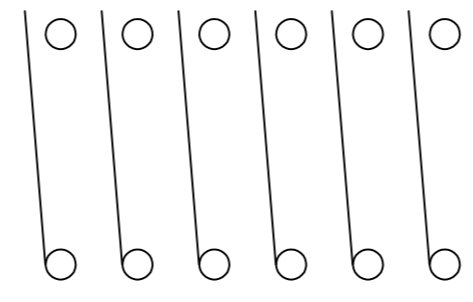
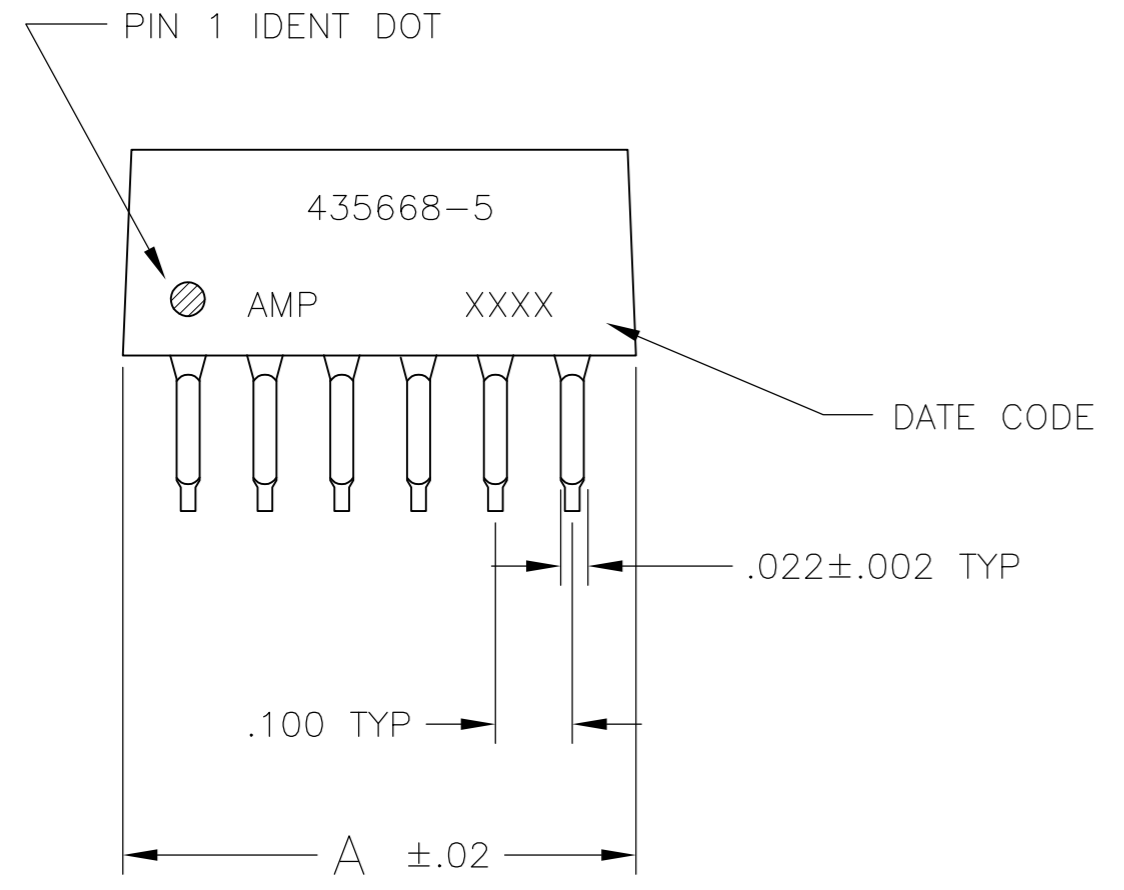
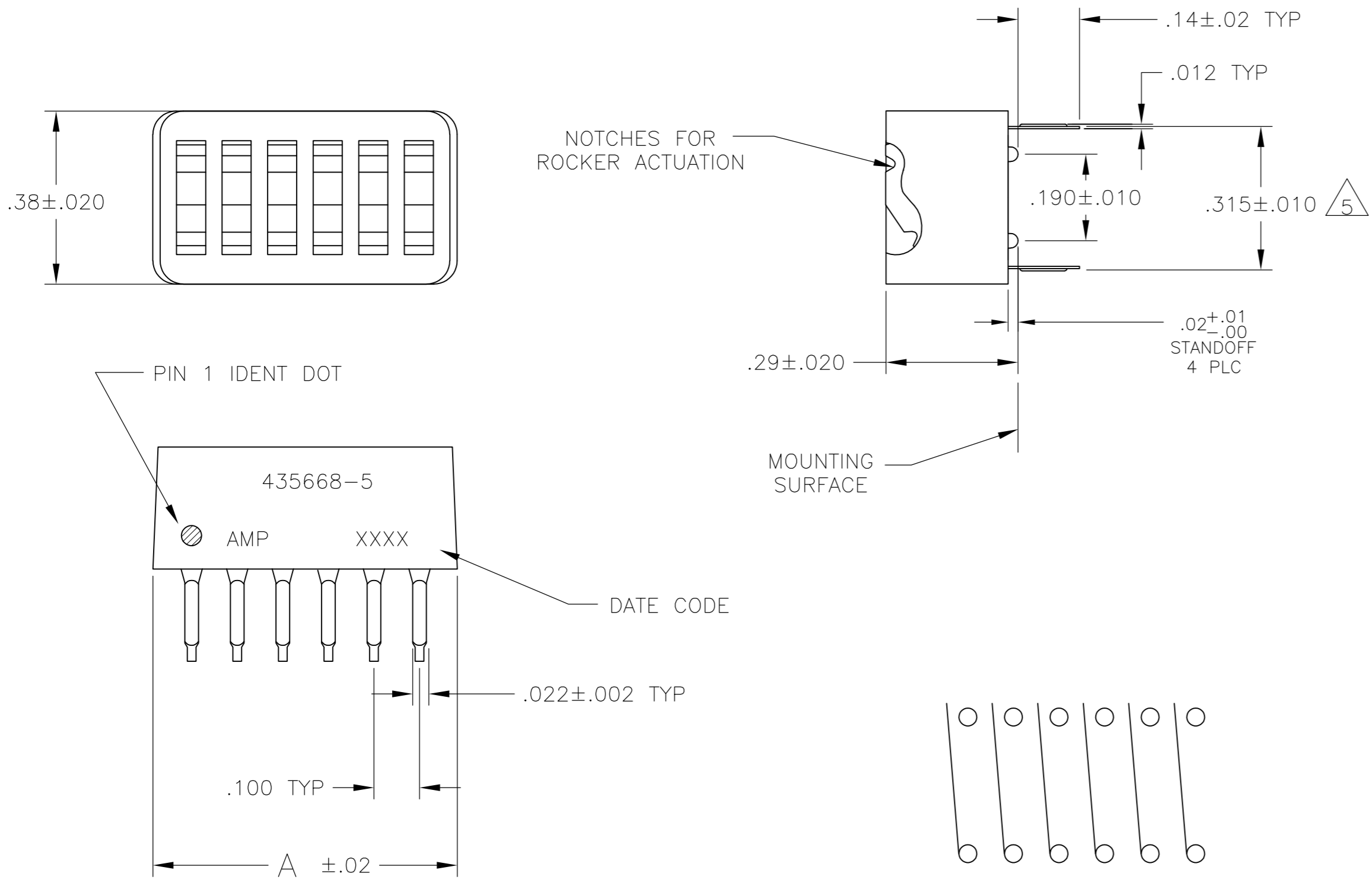


THIS DRAWING IS UNPUBLISHED. RELEASED FOR PUBLICATION
 © COPYRIGHT - By - ALL RIGHTS RESERVED.

LOC		DIST		REVISIONS			
P	LTR	DESCRIPTION		DATE	DWN	APVD	
	A2	REVISED PER ECO-11-004917		11MAR11	RK	HMR	



CONTACT ARRANGEMENT

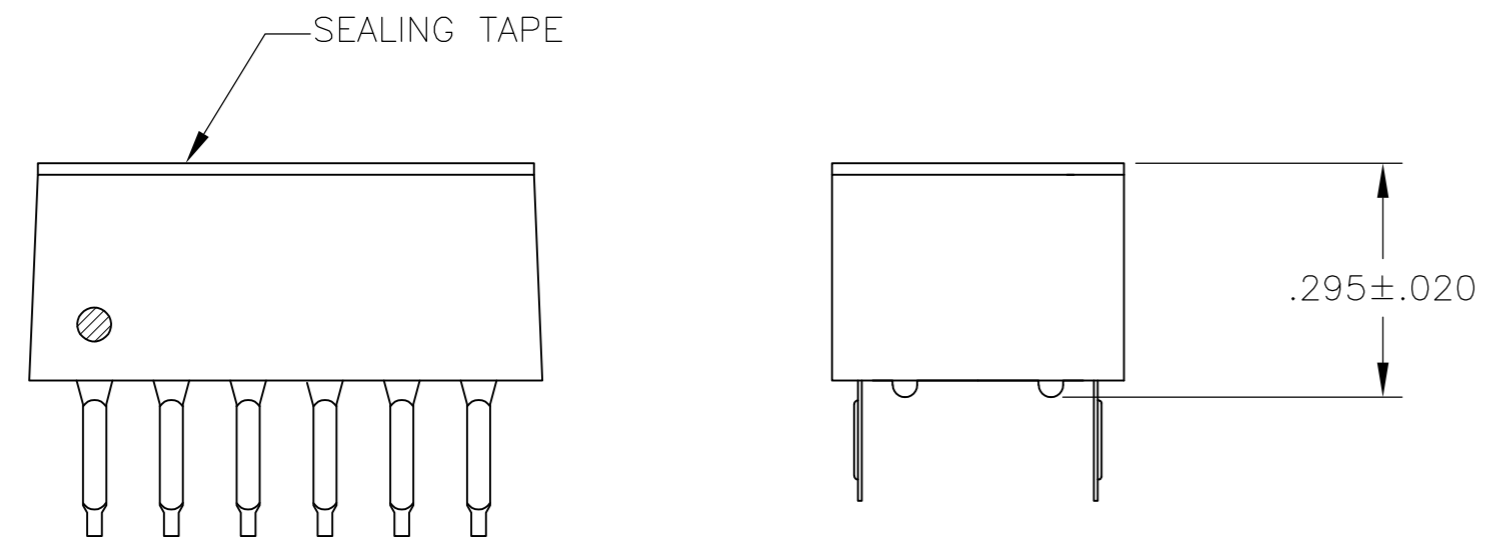


FIG 1

- FOR ADDITIONAL SPECIFICATIONS SEE AMP PRODUCT SPEC 108-7532.
- SWITCH SHOWN IN OPEN POSITION.
- ALL CHARACTERS AND ROCKERS ARE WHITE, HOUSING IS BLUE.
- STAMPING WILL VARY ON 2 AND 3 POSITION SIDES DUE TO SPACE RESTRICTIONS.
- $\triangle 5$.315 DIMENSION APPLIES AT TERMINAL TIPS. TERMINALS ARE .300 +.010 AT MOUNTING SURFACE. -.000
- ALL MATERIALS AND FINISHES SHALL COMPLY WITH EU DIRECTIVE 2002 /95/EC OF 27JAN2003 (ROHS).
- $\triangle 7$ MATERIAL: HOUSING AND ROCKERS - POLYESTER CONTACT & SOLDER LEAD - COPPER ALLOY
- $\triangle 8$ FINISH: CONTACT - GOLD OVER NICKEL SOLDER LEAD - TIN OVER NICKEL
- $\triangle 9$ OBSOLETE PARTS: OBSOLETE CIS STREAMLINING PER D.RENAUD/D.SINISI

FIG	DESCRIPTION	QTY	UNIT	REF	PART NO	
$\triangle 9$	OBSOLETE	FIG 7	—	.58	5	8-5435668-7
				.58	5	3-5435668-5
				.48	4	3-5435668-4
				.38	3	3-5435668-3
$\triangle 9$	OBSOLETE	FIG 1	FIG 2	1.28	12	3-5435668-2
$\triangle 9$	OBSOLETE			1.18	11	3-5435668-1
				1.08	10	3-5435668-0
$\triangle 9$	OBSOLETE			.98	9	2-5435668-9
				.88	8	2-5435668-8
				.78	7	2-5435668-7
				.28	2	2-5435668-6
				.68	6	2-5435668-5
				1.08	10	5435668-9
				.88	8	5435668-7
		.68	6	5435668-5		
		.58	5	5435668-4		
		.48	4	5435668-3		
$\triangle 9$	OBSOLETE			.28	2	5435668-1

THIS DRAWING IS A CONTROLLED DOCUMENT.		DWN BSV	OBJAN05		
DIMENSIONS: INCHES		CHK —	APVD —		
TOLERANCES UNLESS OTHERWISE SPECIFIED:		PRODUCT SPEC	APPLICATION SPEC	SWITCH ASSY, DIP, TYPE C, 7100 SERIES, SPST, LOW PROFILE	
0 PLC ± - 1 PLC ± - 2 PLC ± - 3 PLC ± .005 4 PLC ± - ANGLES ± -		WEIGHT	SIZE A2	CAGE CODE 00779	DRAWING NO C=5435668
MATERIAL $\triangle 7$	FINISH $\triangle 8$	CUSTOMER DRAWING	SCALE 4:1	SHEET 1 of 2	REV A2

THIS DRAWING IS UNPUBLISHED. RELEASED FOR PUBLICATION
 © COPYRIGHT - By - ALL RIGHTS RESERVED.

LOC	DIST	REVISIONS					
		P	LTR	DESCRIPTION	DATE	DWN	APVD
AD	00	-	-	SEE SHEET 1	-	-	-

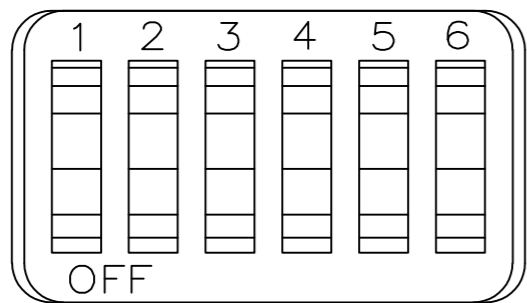


FIG 2

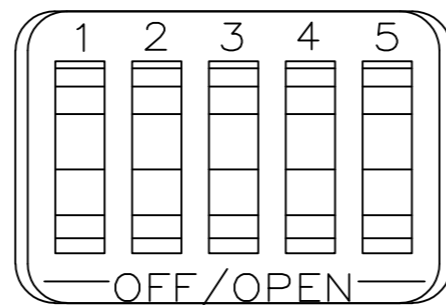


FIG 7

THIS DRAWING IS A CONTROLLED DOCUMENT.		DWN	08JAN05			TE Connectivity	
DIMENSIONS: INCHES		BSV				SWITCH ASSY, DIP, TYPE C, 7100 SERIES, SPST, LOW PROFILE	
TOLERANCES UNLESS OTHERWISE SPECIFIED:		CHK			NAME		
0 PLC ± -		APVD			SIZE		
1 PLC ± -		PRODUCT SPEC			CAGE CODE		
2 PLC ± -		APPLICATION SPEC			DRAWING NO		
3 PLC ± .005		WEIGHT			RESTRICTED TO		
4 PLC ± -		CUSTOMER DRAWING			SCALE		
ANGLES ± -		SCALE	4:1		SHEET		
FINISH		A2 00779 C=5435668		2 of 2		REV	
MATERIAL		CUSTOMER DRAWING		A2			